

FrymaKoruma Inline Homogenizer

The most advanced technology for consistent homogeneous products



The Inline Homogenizer - DIL

The FrymaKoruma Inline Homogenizer offers a clean, high performance solution at the highest technical level. Based on the principle of a multi-chamber rotor/stator system, the Inline Homogenizer is suitable for emulsification and suspension of fluid products.

Product is introduced via a pump into the first chamber, where a special mixer/feeder combination premixes the product and feeds it to the toothed rotor/stator system – a high-performance homogenizer. The product is then sheared: the high level of shear forces in the shear gap and high-energy turbulence at the rotor channel outfeed ensure excellent product quality. When processing emulsions, this unit can achieve particle sizes down to 1µm with a fine distribution. When dispersing suspensions, powder solids are wetted, de-agglomerated and homogenized until the desired product quality is achieved.

Key benefits

Efficient cleaning due to

- GMP-compliant aseptic design (no dead space)
- low consumption of detergents

High performance through

- high throughput
- integrated pump function

Excellent product quality

- narrow droplet size distribution
- high shear forces

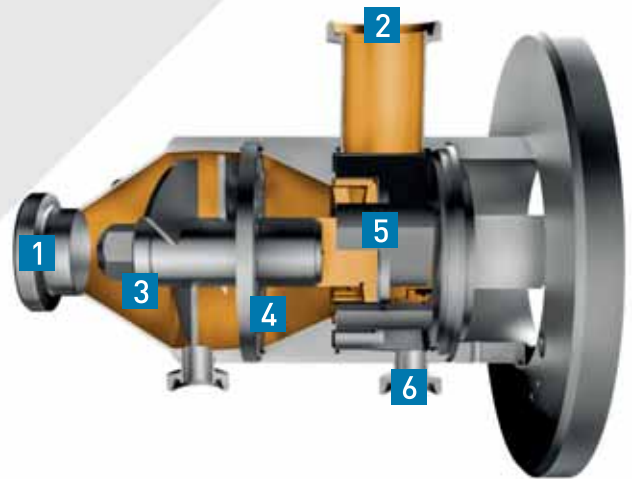
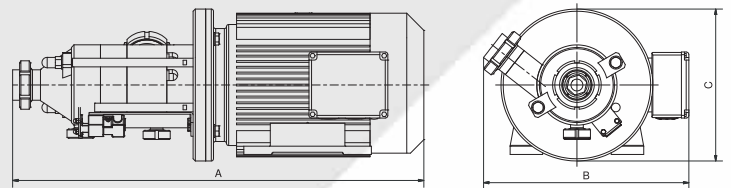
High flexibility due to

- extensive options

Applications

- Mayonnaise, ketchup, dressings
- Ointments, creams, emulsions, suspensions
- Agro-chemicals

	Throughput (l/h), approx.	Installed power (kW), approx.	Dimensions (mm)			Weight (kg), approx.
			Length A	Width B	Height C	
DIL 100	7000	7,5	700	330	300	150
DIL 140	18000	15,0	895	405	370	270
DIL 160	30000	22,0	950	745	390	300
DIL 180	60000	37,0	1080	480	460	500
DIL 230	85000	110,0	1570	810	610	1000



- | | |
|----------------------------|----------------------------|
| 1 Product infeed | 4 Dispersing zone |
| 2 Product discharge | 5 Shearing zone |
| 3 Pre-mixing zone | 6 Residue discharge |

Options

- Product contact surfaces:
RA ≤ 0,4µm (pharma finish)
- Different connections
- Heated/cooled inlets/outlets
- Explosion-proof design (ATEX)
- Double acting mechanical seal
- Further options on request



FrymaKoruma AG
Theodorshofweg
4310 Rheinfelden / Switzerland
Tel. +41 61 8364-141
Fax +41 61 8312-000

ProXES Technology GmbH
Sales / ProTec
Fischerstraße 10
79395 Neuenburg / Germany
Tel. +49 7631 7067-0
Fax +49 7631 7067-29

info@frymakoruma.com
www.frymakoruma.com

member of >
ProXES
the processing > group