



# FrymaKoruma Vacuum-Deaerator VE VI

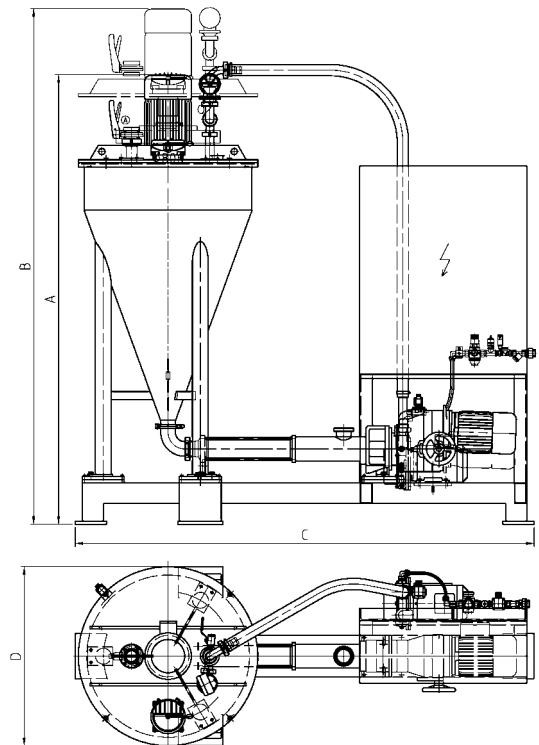
Continuous deaeration for outstanding product quality

## Unbeatable batch times at perfect product quality

The FrymaKoruma Vacuum Deaerator is the perfect solution for eliminating included air in all kind of semi solid and liquid products. The product containing the air or gas pockets is distributed in a thin layer on a centrifugal disc with a sieve. Is it then sprinkled into the vessel by means of a screening frame. The air and gas pockets expand under vacuum, causing the bubbles to burst and the liberated pockets to be exhausted by the vacuum pump.

### Key Benefits:

- ◆ extremely efficient deaeration
- ◆ optimally adaptable to any product
- ◆ CIP and SIP-capable
- ◆ easy to operate and clean



A Unit of Robbins & Myers, Inc.

Processing vessel	useful volume 1200 l	total volume 2500 l		
Inlet	DN 100	DIN 11851		
Throughput	6000 – 30000 kg/h			
Thin-layer distributor	11 kW	750 rpm / 50 Hz		
Discharge pump	7,5 kW	70 – 380 rpm / 50 Hz		
Outlet	DN 100	DIN 11851		
Vacuum pump	5,5 kW			
Dimensions (approx.) [mm]	A = 3670	B = 4160	C = 3460	D = 1800
Weight (approx.) [kg]	2200			

technical data subject to modification

© 2004 Romaco AG

FRY\_4EN\_VE\_0006\_1104