



FrymaKoruma Vacuum-Deaerator VE V

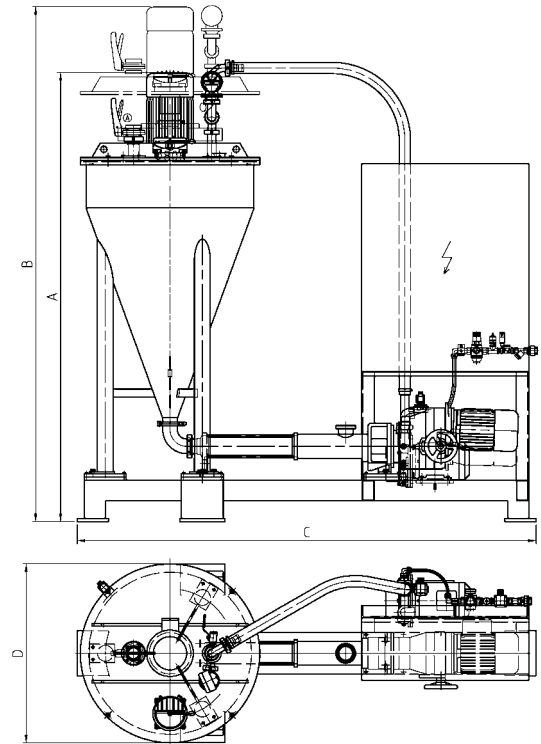
Continuous deaeration for outstanding product quality

Unbeatable batch times at perfect product quality

The FrymaKoruma Vacuum Deaerator is the perfect solution for eliminating included air in all kind of semi solid and liquid products. The product containing the air or gas pockets is distributed in a thin layer on a centrifugal disc with a sieve. Is it then sprinkled into the vessel by means of a screening frame. The air and gas pockets expand under vacuum, causing the bubbles to burst and the liberated pockets to be exhausted by the vacuum pump.

Key Benefits:

- ◆ extremely efficient deaeration
- ◆ optimally adaptable to any product
- ◆ CIP and SIP-capable
- ◆ easy to operate and clean



A Unit of Robbins & Myers, Inc.

Processing vessel	useful volume 550 l	total volume 1150 l		
Inlet	DN 65	DIN 11851		
Throughput	4000 – 20000 kg/h			
Thin-layer distributor	7,5 kW	1000 rpm / 50 Hz		
Discharge pump	5,5 kW	80 – 330 rpm / 50 Hz		
Outlet	DN 80	DIN 11851		
Vacuum pump	4,0 kW			
Dimensions (approx.) [mm]	A = 2860	B = 3250	C = 2840	D = 1220
Weight (approx.) [kg]	1600			

technical data subject to modification

© 2004 Romaco AG

FRY_4EN_VE_0005_1104