



FrymaKoruma Toothed Colloid Mill MZ 150

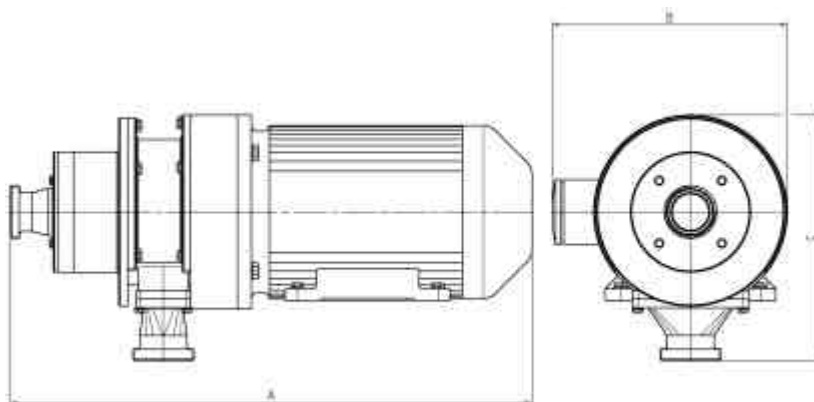
For wet grinding and dispersing

Wet grinding with unbeatable advantages

The FrymaKoruma toothed colloid mills are mainly used for wet grinding of liquid and high viscous suspensions. Depending on the application, the mills are installed vertical or horizontal. The standard version has a fixed adjustment of the gap between rotor and stator. This offers the possibility to perfectly adjust the grinding gap to the application. As an option, a step-less adjustment of the grinding gap with manual or automatic control is available as well. The colloid mills are used in food industry, cosmetics, pharmaceutical and chemical industry.

Key Benefits:

- ◆ minimal product loss due to optimal grinding chamber design
- ◆ optimized seal technology
- ◆ design according to GMP
- ◆ optimized dispersing technology
- ◆ CIP/SIP-able
- ◆ exchangeable tools
- ◆ high throughput whilst occupying minimal floor space



A Unit of Robbins & Myers, Inc.

Throughput (standard)	1500 – 15000 kg/h
-----------------------	-------------------

Hopper (Option)	50 l
-----------------	------

Product inlet	DN 65
---------------	-------

Product outlet	DN 80
----------------	-------

Pressure resistance	max. 6 bar
---------------------	------------

Driving capacity (Standard)	22 kW	3000 rpm / 50 Hz
-----------------------------	-------	------------------

Dimensions (approx.) [mm]	A = 950	B = 430	C = 450
---------------------------	---------	---------	---------

Weight (approx.) [kg]	310
-----------------------	-----

technical data subject to modification

© 2004 Romaco AG

FRY_4EN_MZ 0150_1104