



# FrymaKoruma Perforated Disc Mill ML 330

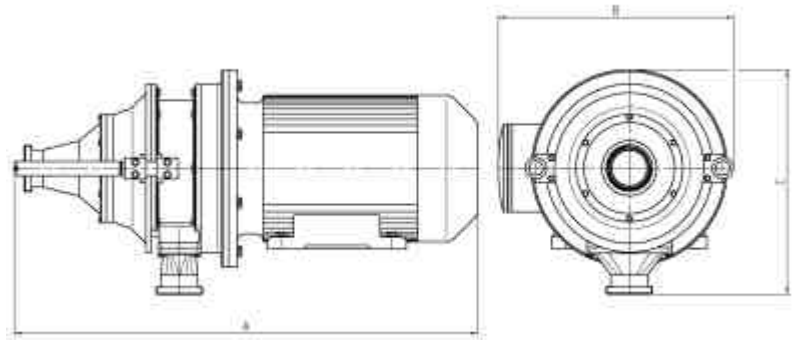
## Grinding and pre-grinding of lumpy products

### The perfect solution for pre-grinding

The FrymaKoruma perforated disc mill is used for pre-grinding, pulping and mashing of lumpy products, e. g. fruit or vegetables. It's mainly used for processing tasks in the food, cosmetic and chemical industry. Above the perforated disc a knife bar rotates at high speed (approx. 3000 rpm). It crushes and press the axially fed product through the holes of the perforated disc. The ejector device rotating underneath the perforated disc draws the processed product to the product outlet.

### Key Benefits:

- ◆ outstanding sealing technology
- ◆ exchangeable tools
- ◆ high shearing forces and throughput



A Unit of Robbins & Myers, Inc.

Throughput (standard)	8000 – 40000 kg/h		
Hopper (Option)	75 l		
Product inlet	DN 100		
Product outlet	DN 100		
Pressure resistance	max. 6 bar		
Driving capacity (standard)	60 kW	3000 rpm / 50 Hz	
Dimensions (approx.) [mm]	A = 1310	B = 670	C = 630
Weight (approx.) [kg]	500		

© 2004 Romaco AG technical data subject to modification

FRY\_4EN\_ML 0330\_1104