



FrymaKoruma Corundum Stone Mill MK 95

For wet grinding and dispersing

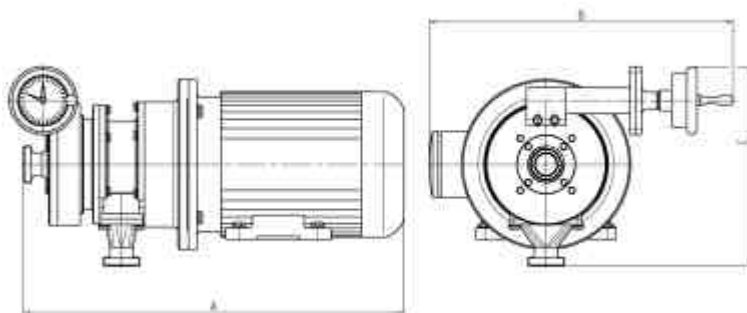
Wet grinding with unbeatable advantages

The FrymaKoruma corundum stone mills are used for dispersing and wet grinding of liquid and pasty products. The heart of these mills are the corundum stones. At high speed the rotor element rotates against the stationary stator element. In the gap between the two corundum stones, the product is subjected to high shearing, cutting and crushing forces.

Amongst others, the main applications of the corundum stone mill are mustard, food and baby food, soy milk, sesame, lipstick compound, lubrication grease, coatings and varnishes.

Key Benefits:

- ◆ high energy density
- ◆ high throughput
- ◆ optimized seal technology
- ◆ adjustable grinding gap
- ◆ exchangeable tools



Throughput (standard)	10 – 160 kg/h		
Hopper (Option)	7 l		
Product inlet	DN 40		
Product outlet	DN 40		
Pressure resistance	max. 6 bar		
Driving capacity (standard)	5,5 kW	3000 rpm / 50 Hz	
Dimensions (approx.) [mm]	A = 680	B = 540	C = 360
Weight (approx.) [kg]	50		