



FrymaKoruma Dinex 4200

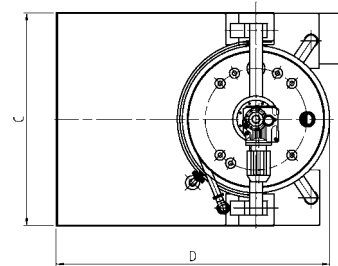
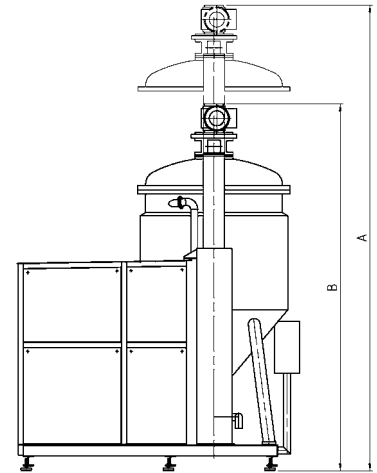
State of the Art Vacuum Processing

The high performance vacuum processing unit for the manufacture of semi-solids

The FrymaKoruma Dinex is a vacuum processing unit for the pharmaceutical and cosmetic industry. Due to its wide ranges of features its ideal for the manufacture of different products with a wide variation of processing requirements. All semi-solid products such as suspensions, crèmes, emulsions, and gels can be reliably manufactured in a fast and efficient way. Even a sterile version of the Dinex is available.

Key Benefits:

- ◆ internal and external homogenization offers process flexibility and a wide batch size range
- ◆ adjustable stator ensures gentle processing for sensitive products at low shear force
- ◆ highest flexibility for product and process requirements
- ◆ homogenizer doubles as a pump – for pumping over or CIP: no additional pump required
- ◆ batch-to-batch consistency and compatibility with scale up procedures
- ◆ ergonomic operation and handling



A Unit of Robbins & Myers, Inc.

Processing vessel volume	min. 100 l	max. 3500 l	total 4200 l	
Pressure resistance	vessel vacuum tight –1 to 0 bar		double jacket pressure tight max. +6 bar	
Product inlet	feed stud with valve	dry ingredients	DN 80	DN 80
		liquid ingredients	DN 80	
Product outlet	circulation pipe with three way valve		DN 140	
Homogenizer	55 kW	600 - 3000 rpm / 50 Hz	6 – 28 m/sec	
Scraper agitator	11 kW	max. 32 rpm / 50 Hz		
Vacuum pump	5,5 kW			
Dimensions (approx.) [mm]	A = -	B = 5100	C = 2500	D = 3300
Weight (approx.) [kg]	10'000			

technical data subject to modification

© 2004 Romaco AG

FRY_4EN_DX_4200_1104