



FrymaKoruma Dinex 3500

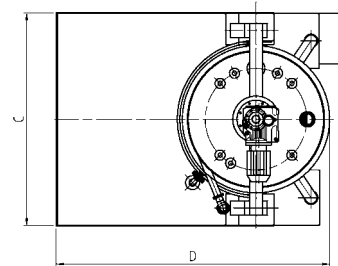
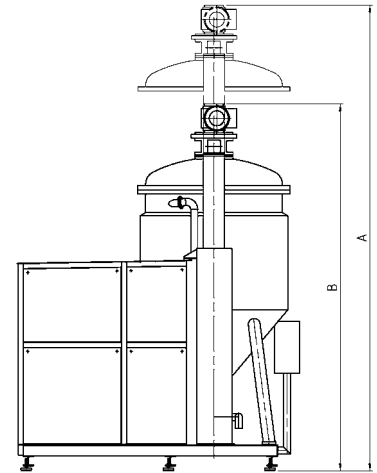
State of the Art Vacuum Processing

The high performance vacuum processing unit for the manufacture of semi-solids

The FrymaKoruma Dinex is a vacuum processing unit for the pharmaceutical and cosmetic industry. Due to its wide ranges of features its ideal for the manufacture of different products with a wide variation of processing requirements. All semi-solid products such as suspensions, crèmes, emulsions, and gels can be reliably manufactured in a fast and efficient way. Even a sterile version of the Dinex is available.

Key Benefits:

- ◆ internal and external homogenization offers process flexibility and a wide batch size range
- ◆ adjustable stator ensures gentle processing for sensitive products at low shear force
- ◆ highest flexibility for product and process requirements
- ◆ homogenizer doubles as a pump – for pumping over or CIP: no additional pump required
- ◆ batch-to-batch consistency and compatibility with scale up procedures
- ◆ ergonomic operation and handling



A Unit of Robbins & Myers, Inc.

| | | | | |
|---------------------------|---------------------------------------|------------------------|--|----------|
| Processing vessel volume | min. 100 l | max. 3000 l | total 3500 l | |
| Pressure resistance | vessel vacuum tight –1 to 0 bar | | double jacket pressure tight max. +6 bar | |
| Product inlet | feed stud with valve | dry ingredients | DN 50 | |
| | | liquid ingredients | DN 65 | |
| Product outlet | circulation pipe with three way valve | | DN 80 | |
| Homogenizer | 45 kW | 600 - 3000 rpm / 50 Hz | 6 – 28 m/sec | |
| Scraper agitator | 11 kW | max. 32 rpm / 50 Hz | | |
| Vacuum pump | 5,5 kW | | | |
| Dimensions (approx.) [mm] | A = - | B = 4900 | C = 2500 | D = 3300 |
| Weight (approx.) [kg] | 7000 | | | |

technical data subject to modification

© 2004 Romaco AG

FRY_4EN_DX_3500_1104