



# FrymaKoruma Dinex 2400

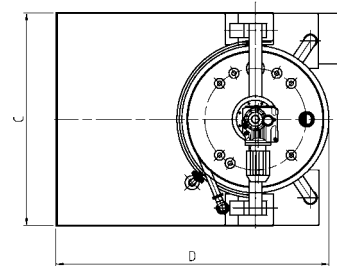
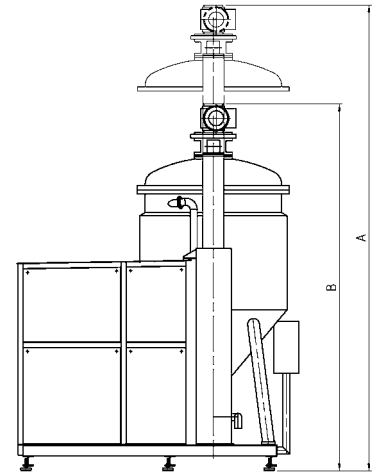
## State of the Art Vacuum Processing

### The high performance vacuum processing unit for the manufacture of semi-solids

The FrymaKoruma Dinex is a vacuum processing unit for the pharmaceutical and cosmetic industry. Due to its wide ranges of features its ideal for the manufacture of different products with a wide variation of processing requirements. All semi-solid products such as suspensions, crèmes, emulsions, and gels can be reliably manufactured in a fast and efficient way. Even a sterile version of the Dinex is available.

#### Key Benefits:

- ◆ internal and external homogenization offers process flexibility and a wide batch size range
- ◆ adjustable stator ensures gentle processing for sensitive products at low shear force
- ◆ highest flexibility for product and process requirements
- ◆ homogenizer doubles as a pump – for pumping over or CIP: no additional pump required
- ◆ batch-to-batch consistency and compatibility with scale up procedures
- ◆ ergonomic operation and handling



A Unit of Robbins & Myers, Inc.

Processing vessel volume	min. 50 l	max. 2000 l	total 2400 l	
Pressure resistance	vessel vacuum tight –1 to 0 bar		double jacket pressure tight max. +6 bar	
Product inlet	feed stud with valve	dry ingredients	DN 50	
		liquid ingredients	DN 65	
Product outlet	circulation pipe with three way valve		DN 80	
Homogenizer	45 kW	600 - 3000 rpm / 50 Hz		6 – 28 m/sec
Scraper agitator	7,5 kW	max. 36 rpm / 50 Hz		
Vacuum pump	5,5 kW			
Dimensions (approx.) [mm]	A = 5900	B = 4400	C = 2500	D = 3300
Weight approx. (kg)	6000			

technical data subject to modification

© 2004 Romaco AG

FRY\_4EN\_DX 2400\_1104